

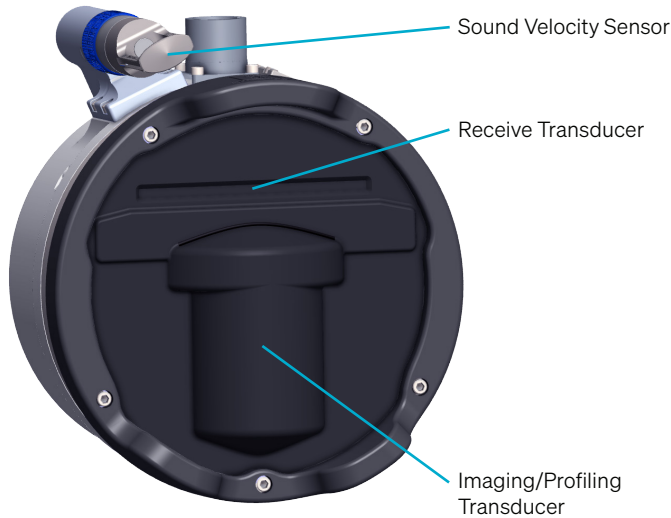
M3 SONAR® HF - 4000 M

HIGH-FREQUENCY SONAR WITH SOUND VELOCITY SENSOR



KONGSBERG

P/N 922-20360000



FEATURES

- Up to 4000 m water depth
- Imaging and profiling capabilities
- 700 kHz to 1400 kHz operating frequency
- GeoTIFF output for image mosaics
- Intuitive and easy-to-use software
- Significant time savings
- Integrated tilt and pan/tilt control
- Integrated Sound Velocity Sensor

MULTIMODE MULTIBEAM FOR MULTIPLE APPLICATIONS

Kongsberg Mesotech's M3 Sonar HF is a multibeam system with both imaging and profiling capabilities. The M3 Sonar HF provides high-resolution and easy-to-interpret images by combining the rapid refresh rate of a conventional multibeam sonar with image quality comparable to a single-beam sonar.

This model includes an integrated Sound Velocity Sensor. SVT•Xchange™ is a complete real-time sound velocity instrument. The embedded processor handles all signal processing, timing, and math, allowing the device to provide continuous realtime sound velocity measurements.

APPLICATIONS

- Pipeline survey and inspection
- Fish behaviour monitoring
- Fish habitat mapping
- Infrastructure inspection
- Dredge monitoring
- Cable laying and trenching

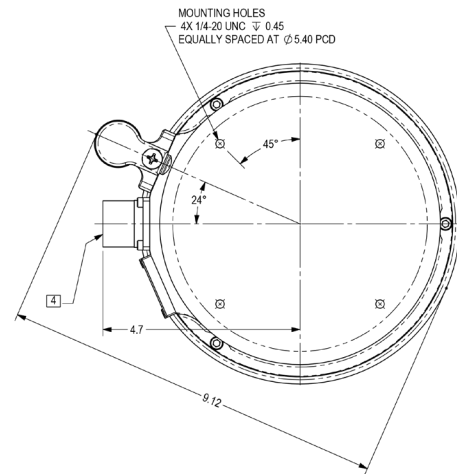
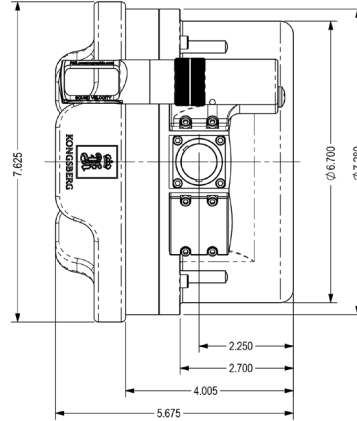
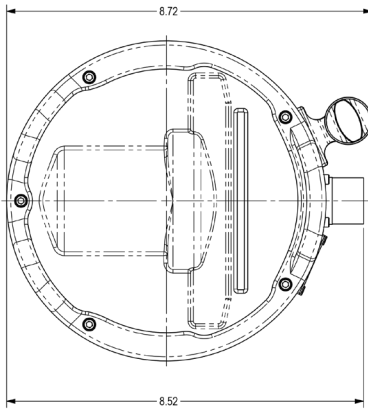
INSTALLATION OPTIONS

- Pole mount on a surface vessel
- Suitable for a wide range of vehicles from ROVs to USVs and ASVs
- Tripod mounted

M3 SONAR SOFTWARE

The M3 Sonar software was developed specifically for the M3 Sonar HF to manage communications with the head and operate all beamforming and image processing.

The predefined imaging modes present distortion-free images at a high update rate. For an alternative data visualization, the provided profiling modes generate a 3D point cloud.



TECHNICAL SPECIFICATIONS

SONAR SPECIFICATIONS

Range:	0.2 m to 100 m
Range resolution:	1 cm
Frequency:	700 kHz - 1400 kHz
Pulse types:	CW, CHIRP
Update rate:	up to 40 Hz
Max. number of beams:	512

700-KHZ MODES

Detection range:	100 m
Coverage:	140°
Imaging beamwidth:	1.0° x 30°
Profiling beamwidth:	1.0° x 1.8°

950-KHZ MODES

Detection range:	70 m
Coverage:	140°
Imaging beamwidth:	0.8° x 27°
Profiling beamwidth:	0.8° x 1.4°

1200-KHZ MODES

Detection range:	50 m
Coverage:	75°
Imaging beamwidth:	0.65° x 21°
Profiling beamwidth:	0.65° x 1.1°

1400-KHZ MODES

Detection range:	30 m
Coverage:	45°
Imaging beamwidth:	0.55° x 18°
Profiling beamwidth:	0.55° x 0.9°

INTERFACE SPECIFICATIONS

Communication:	Ethernet
Data rates:	10/100 Mbps
Input voltage:	12 to 36 VDC
Input power:	50 W (avg.), peak power < 70 W, mode dependant
Operating System:	Windows 10
Synchronization:	PRI Sync, 1PPS
Sound Velocity Range:	1375 - 1625 m/s

ENVIRONMENTAL SPECIFICATIONS

Temperature	
Operation:	-2°C to +38°C
Storage:	-40°C to +55°C

MECHANICAL SPECIFICATIONS

Width:	221.4 mm (8.72 in)
Height:	144 mm (5.67 in)
Weight in Air:	7.9 kg (17.5 lbs)
Weight in Water:	5.1 kg (11.2 lbs)
Depth Rating:	4000 m
Connector Type:	SEA CON®
Connector Model:	MINK-10-FCRL
Materials:	Titanium, Elastomeric Polyurethane

922-20367901-1.0

KONGSBERG MESOTECH

1598 Kebet Way, Port Coquitlam, BC, Canada, V3C 5M5
 Phone: 604-464-8144
 Toll-Free: 1-888-464-1598
 Fax: 604-941-5423

sales.Mesotech@kd.kongsberg.com



KONGSBERG